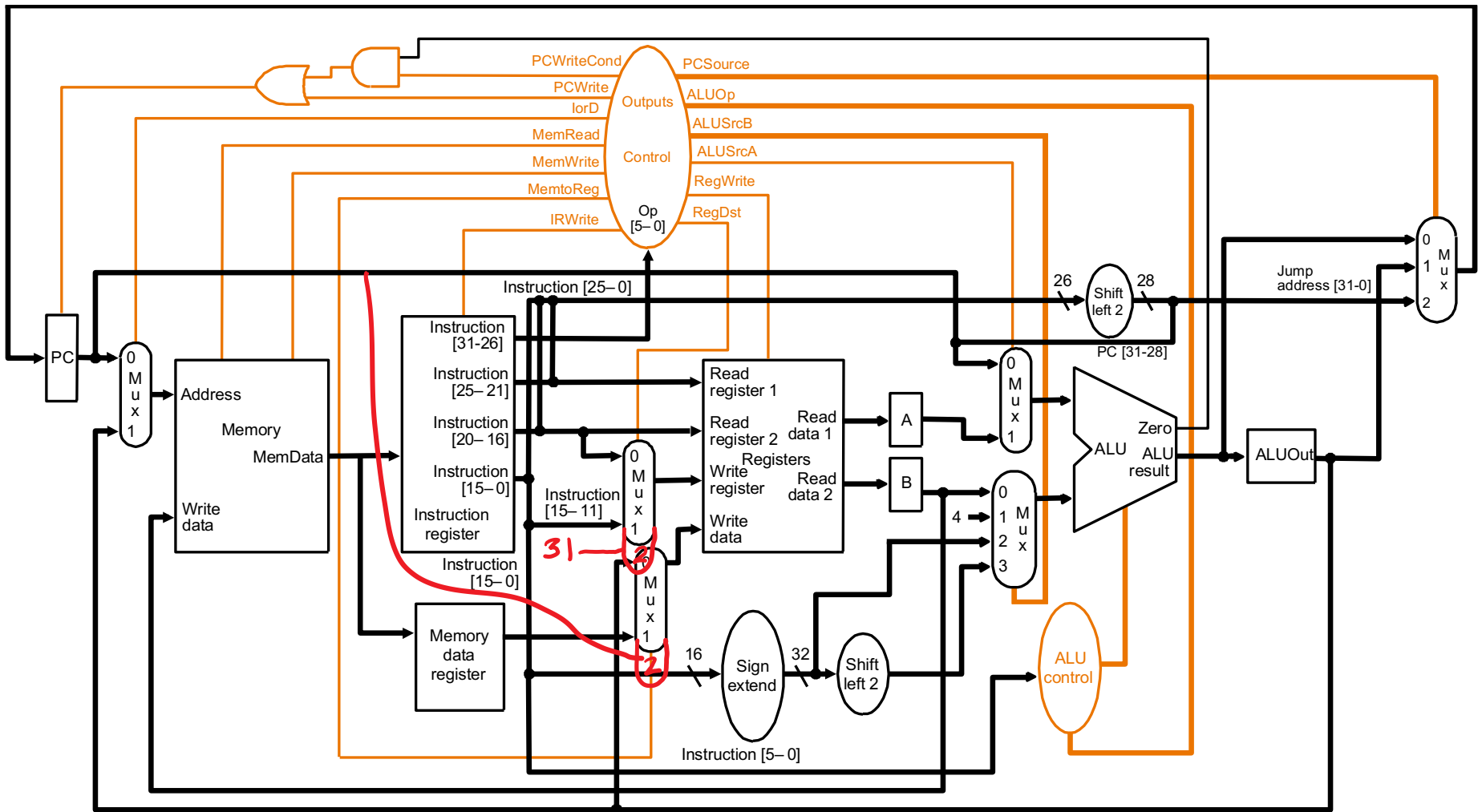
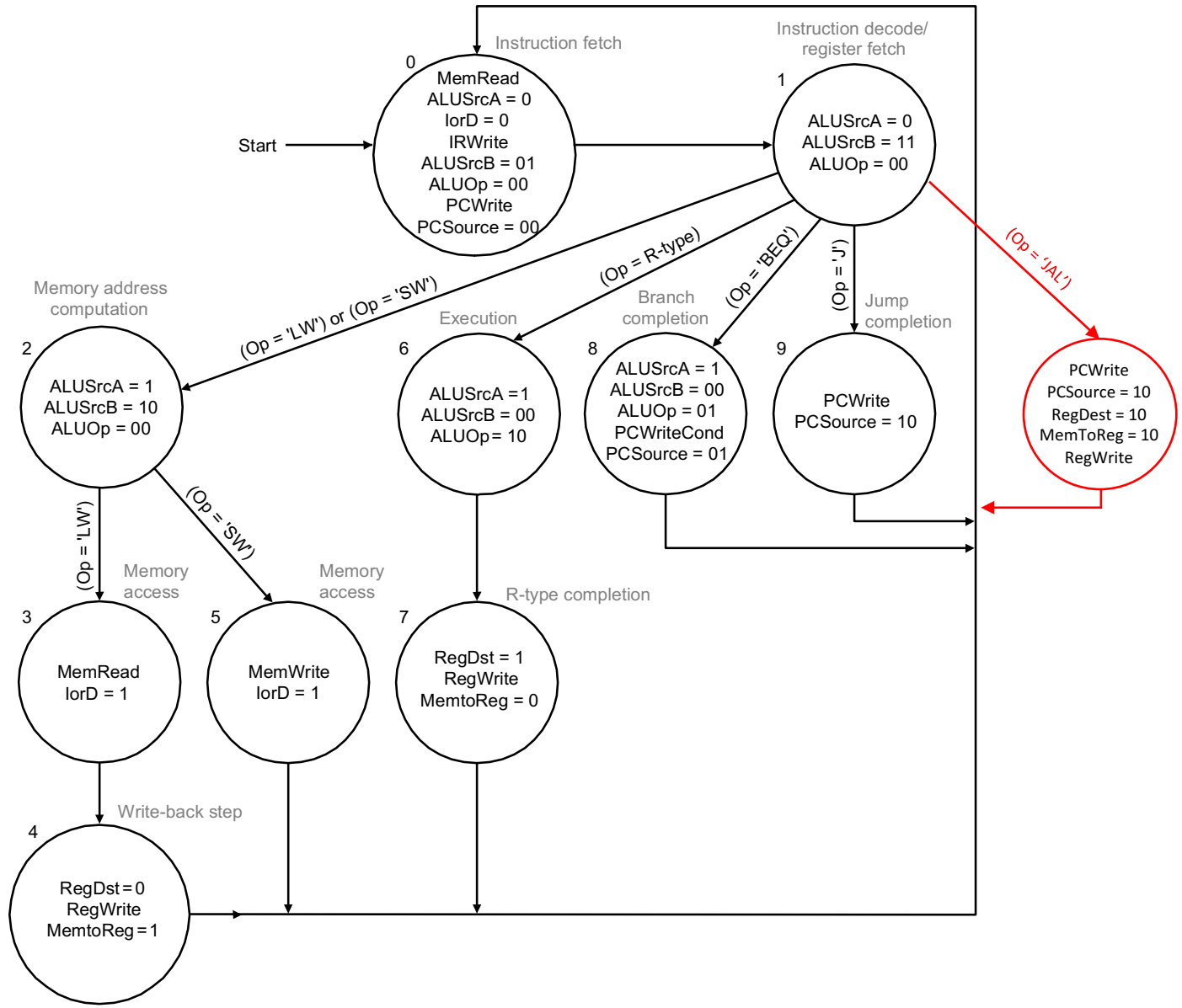


JAL

Instruction: Jal #label

Interpretation: \$ra = PC, \$ra is register 31
PC = #label





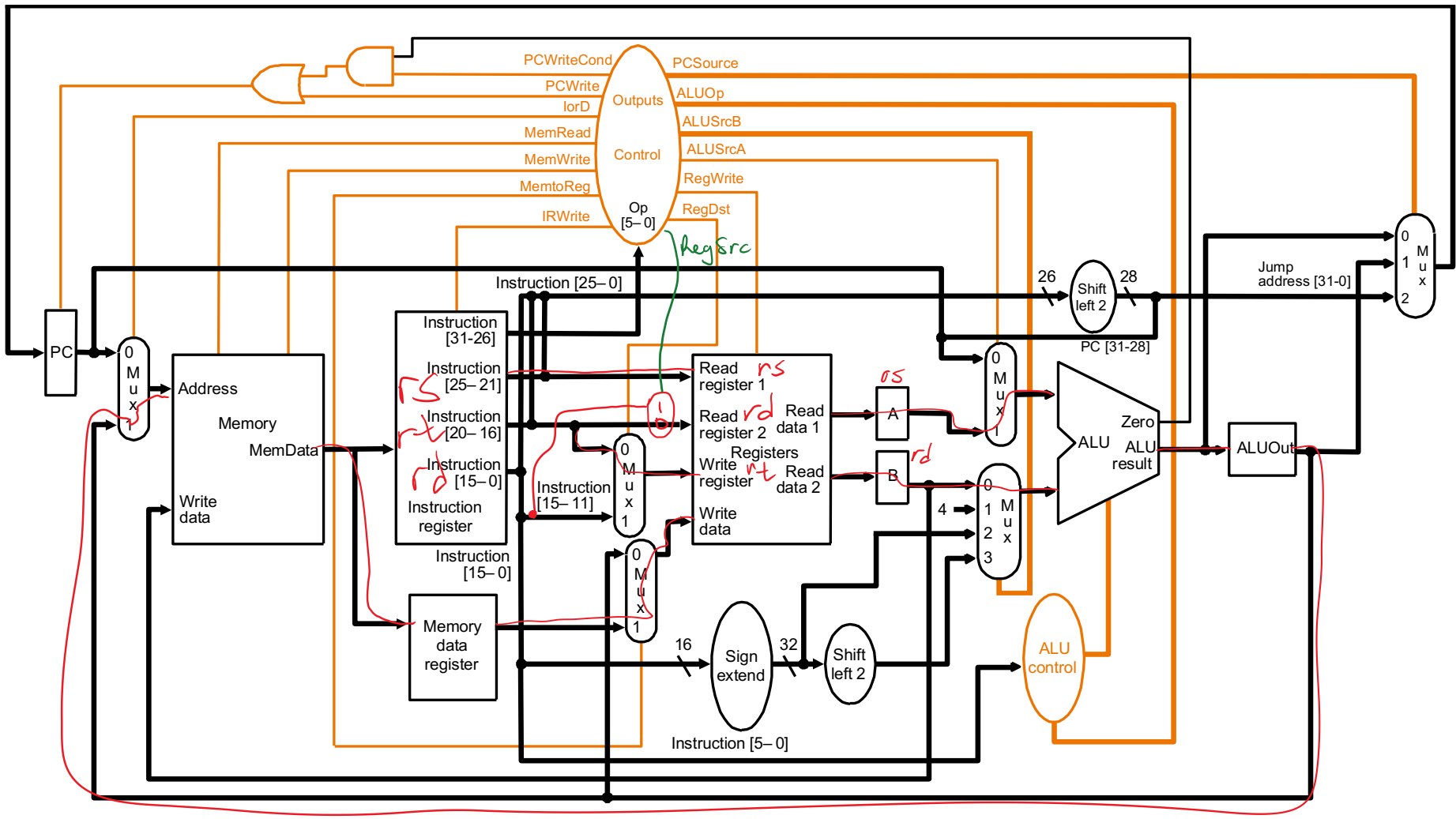
LWI

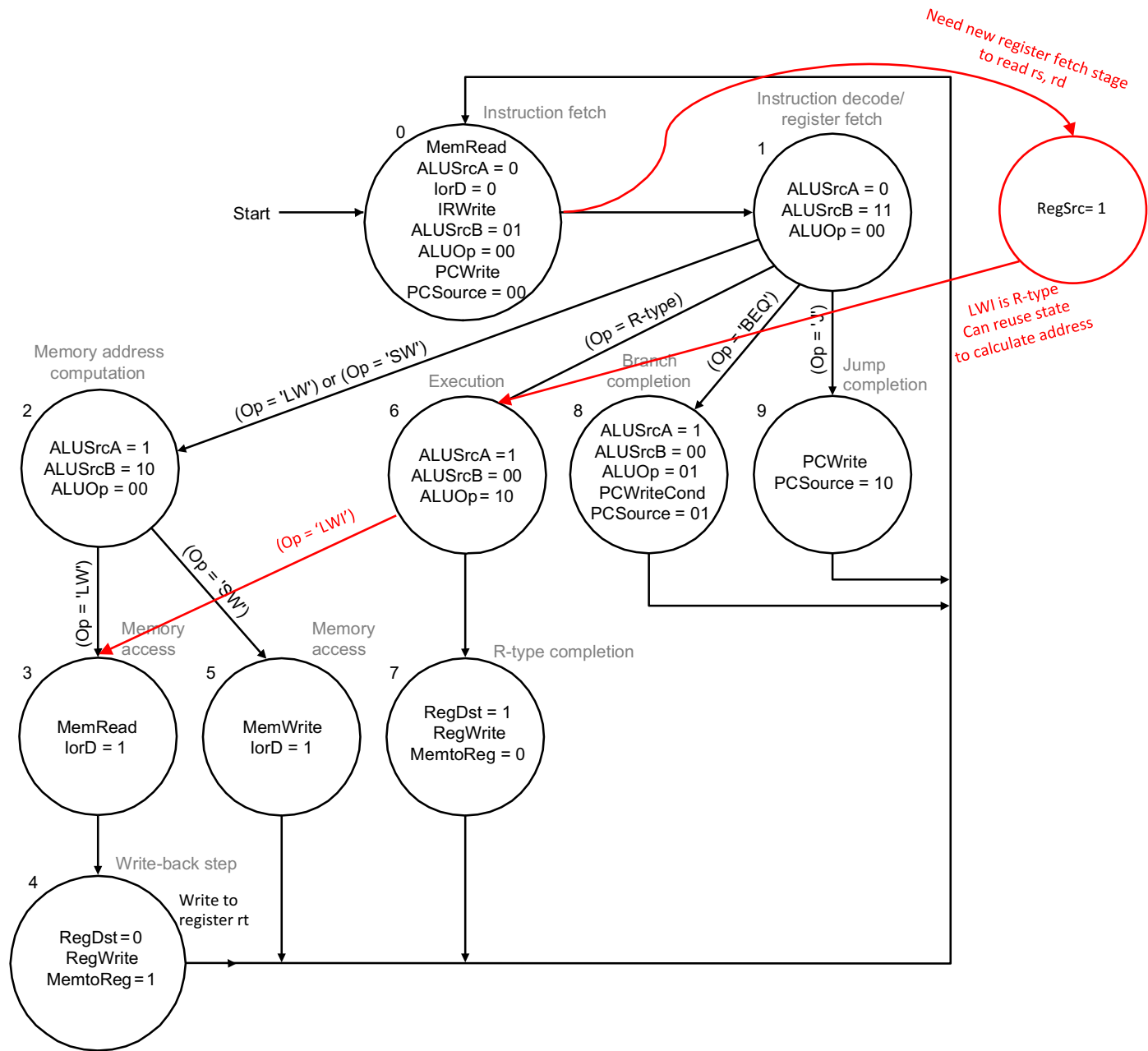
Similar to 4.2, but for Multi-cycle

Instruction: LWI Rt, Rd(Rs)

* Note LWI is a R-type instruction

Interpretation: $\text{Reg}[\text{Rt}] = \text{Mem}[\text{Reg}[\text{Rd}] + \text{Reg}[\text{Rs}]]$





SWAP

Instruction: Swap Rs, Rt

 Assume r-type instruction where Rs is in Rd field

 Swap Rs, Rs, Rt

Interpretation: $\text{Reg}[Rs] = \text{Reg}[Rt]$

$\text{Reg}[Rt] = \text{Reg}[Rs]$

